

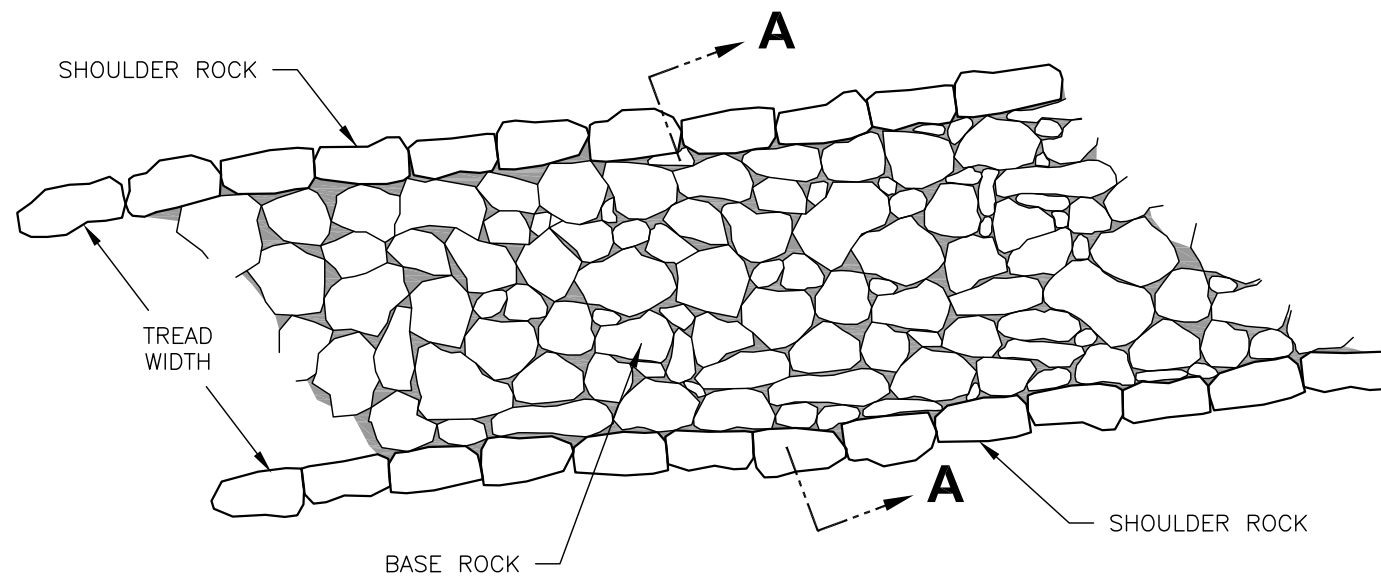
RIPRAP SURFACING

TYPICAL ID	TREAD WIDTH	GEOTEXTILE TYPE	LEVELING COURSE TYPE	MINIMUM ROCK SIZE		COMMENTS
				SHOULDER ROCK (LBS)	BASE ROCK (LBS)	
RRS-1			L			

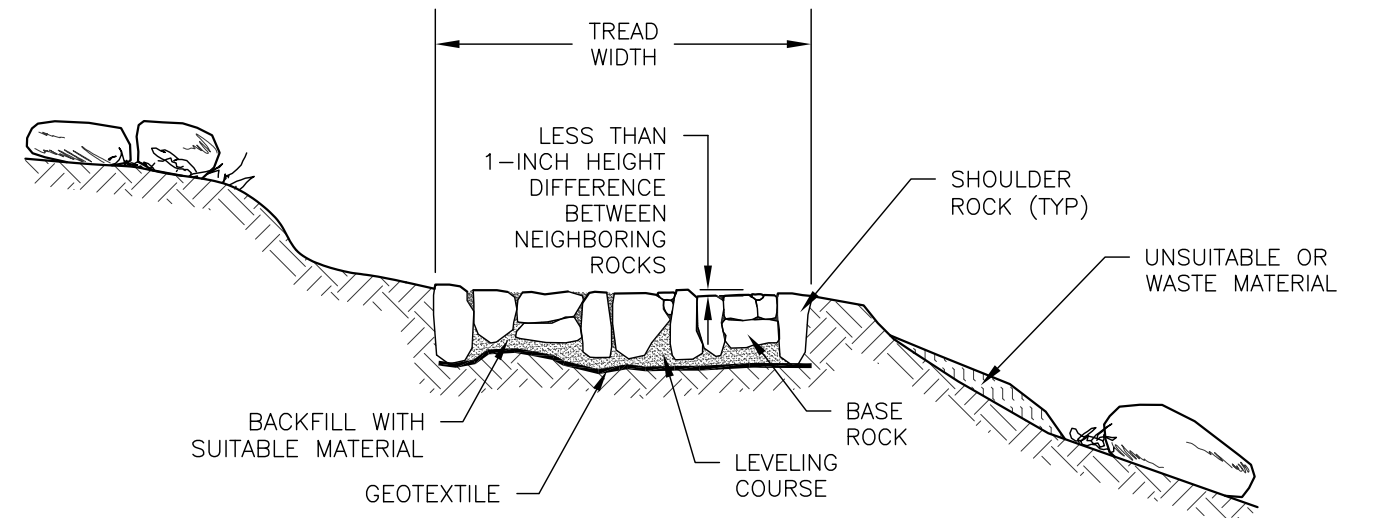
N/A WHEN NOT SPECIFIED

LEVELING COURSE MATERIAL

TYPE	MATERIAL	GRADATION	COMMENTS
L1	PITRUN		
L2	AGGREGATE		
L3			



PLAN VIEW



SECTION **A-A**

NOTES:

1. REMOVE AND DISPOSE OF DUFF AND TOP ORGANIC LAYERS DOWN TO MINERAL SOIL.
2. PROVIDE ORGANIC-FREE BACKFILL MATERIAL WHERE SHOWN ON DRAWINGS FOR LEVELING AND SUPPORT OF BASE ROCK.
3. LAY ROCK WITH A MINIMUM OF 3 POINTS OF CONTACT WITH ADJACENT ROCKS.
4. LAY ROCKS IN A RANDOM ARRANGEMENT.
5. FILL VOIDS WITH BROKEN ROCK OR SUITABLE BACKFILL.